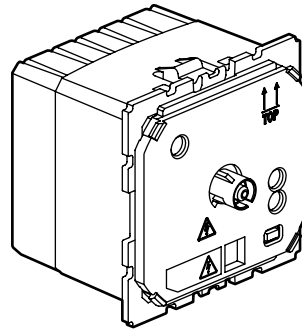


Thermostat Céliane with control input

Catalogue number(s) : 674 10



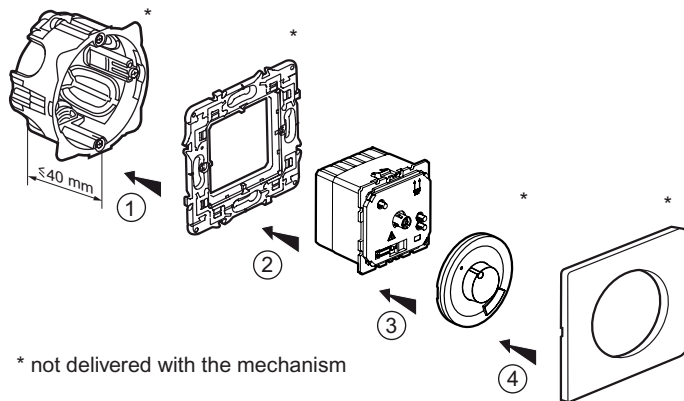
1. USE

The thermostat may be used for all kind of heating systems, especially for electrical or water heated convectors / radiators in a room. It may be used with floor- or ceiling heating systems, too.
 The thermostat has a terminal for a fil pilote wire. With this wire the thermostat may be controlled from remote with signals according to the fil pilote standard. It recognizes the following six commands: Confort, confort-1, confort-2, eco, hors gel, arret.

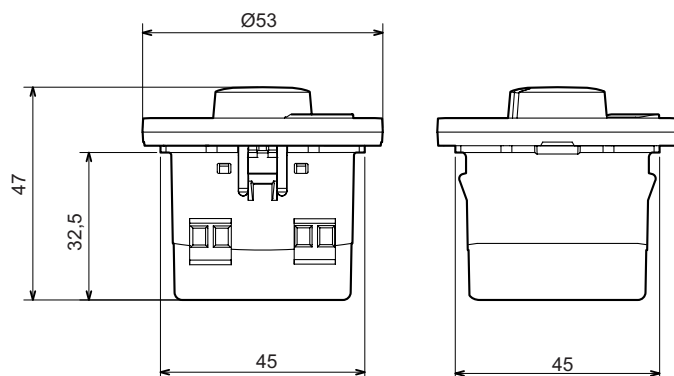
2. RANGE

	Designation	Catalogue number	Number of modules	Connection mode	Weight(g)	Characteristics
	Thermostat	674 10	2	with screw	75g	230 V~ 50/60Hz

3. PREPARATION

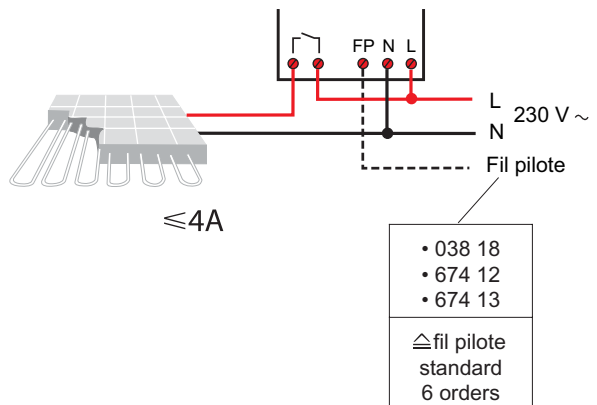
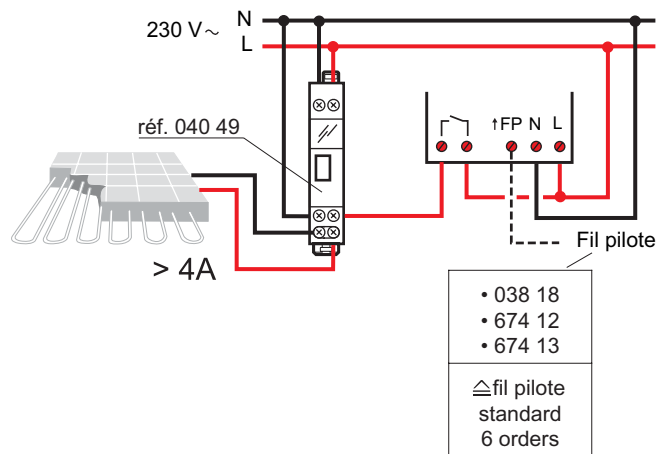


4. OVERALL DIMENSIONS



5. CONNECTION

Number of terminals	5
Type of terminals	with screw
Length of stripping	6 mm
Capacities of the terminals	1 x 2,5 mm ² flexible or rigid
Tool	Flat screwdriver 3,5 mm



Maximum operation distance : 50 m

Thermostat Céliane with control input

Catalogue number(s) : 674 10

6. FUNCTION

The thermostat has a built in temperature sensor. The output uses a relay contact, so it is either on or off. Internally the device employs an algorithm with a proportional zone and feedback to achieve a low ripple of the controlled temperature. This means, that the thermostat doesn't switch at fixed temperatures within the room. The actual switching depends on the temperature and the respective characteristics of thermostat, room and mounting place.

The actual set-point is adjustable with the turning knob between 7 ... 30°C. In the confort state this set-point is directly used for the temperature level of the room. In the other states the temperature is reduced according to the following table:

Confort	=	set-point	upper right LED
Confort-1	=	set-point - 1 K	upper right LED(*)
Confort-2	=	set-point - 2 K	upper right LED(*)
Eco	=	set-point - 4 K	lower right LED
Hors gel	=	fix at 7°C	top left LED
Arret			all off

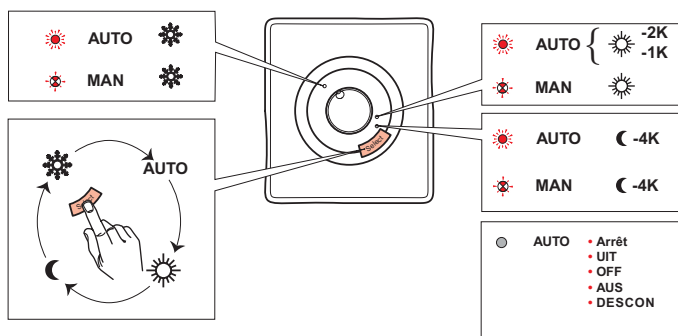
The actual state is indicated with the LEDs on the device (see in table above). The LEDs are lighting steadily, if the device is controlled from the fil pilote signals. It is also possible, to force the state manually; in this case the LEDs are blinking.

With the push-button on the right it is possible to put the thermostat in the manual mode. Pressing the button several times circles from the AUTO mode with the following steps back to AUTO

Start:	AUTO
1 st press:	MAN forced confort
2 nd press:	MAN forced eco
3 rd press:	MAN forced hors gel
4 th press:	AUTO

During one of the MAN modes the device doesn't respond to fil pilote signals.

In old devices (prior to Feb. 08) the lower right LED is lighting in this case.



7. GENERAL CHARACTERISTICS

7.1 Mechanical characteristics

Impact tests : IK 04
Penetration of body solides/liquides : IP 41 (C15-100)

7.2 Material characteristics

Polycarbonate

7.3 Electrical characteristics

Glow wire test (IEC 60 695-2-10, -2-11 : 650°C/30 s
Voltage : 230 VAC
Frequency : 50/60 Hz

7.4 Climatic characteristics

Storage temperature : -10°C à +60°C
Ambient temperature : -5°C à +50°C

8. MAINTENANCE

Without maintenance

9. CONFORMITY - APPROVALS

Approvals in progress : NF - CEBEC - BBJ - EZU